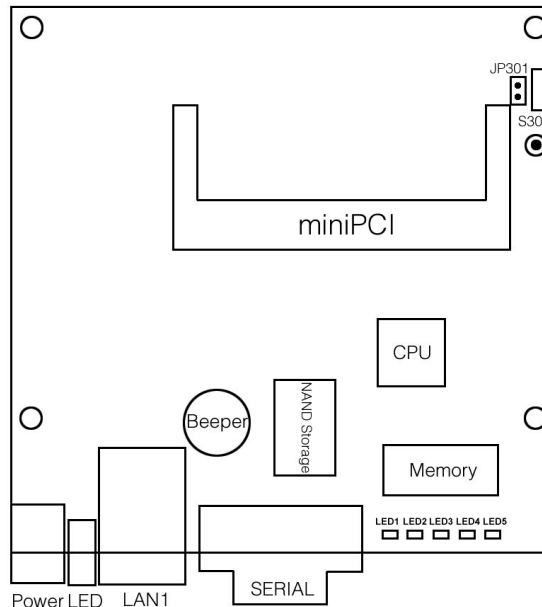
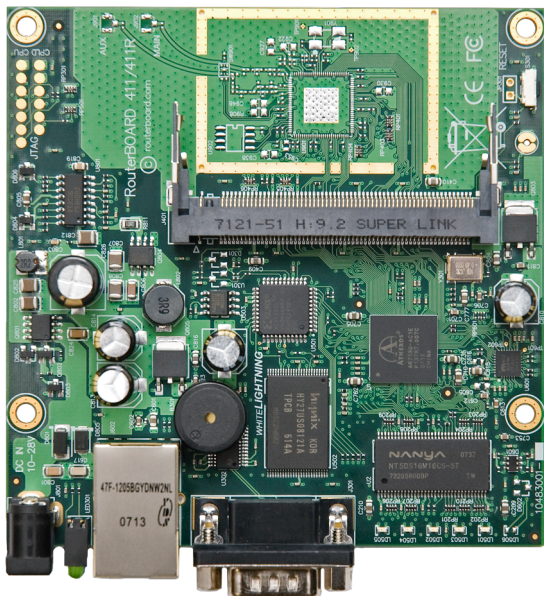


RouterBOARD 411

Quick Setup Guide and Warranty Information



First use of the board:

1. Insert the MiniPCI card. RouterBOARD 411 provides one MiniPCI slot on the top of the board
2. Connect antenna cables to the MiniPCI card
3. Install the board in a case and connect other peripherals and cables.
4. Plug in power cable to turn on the board.

Powering

The board accepts powering from either the power jack or the LAN1 Ethernet port:

- direct-input power jack **J7** (5.5mm outside and 2mm inside diameter, female, pin positive plug) accepts 9..28V DC (overvoltage protection starts at 28V).
- LAN1 Ethernet port **J8** accepts 9..28V DC input (at the board; higher voltage needed to compensate for power loss on long cables; at least 18V suggested) from non-standard (passive) Power over Ethernet injectors (no power over data-lines). The board **does not** work with IEEE802.3af compliant 48V power injectors.

The maximum output of the power supply available for extension cards is normally 10W (3.0A).

Booting process

Initial connection has to be done via the Ethernet cable, using the MikroTik Winbox utility. Winbox should be used to connect to the default IP address of **192.168.88.1** with the username **admin** and no password.

In case IP connection is not available, Winbox can also be used to connect to the MAC address of the device. More information here: http://wiki.mikrotik.com/wiki/First_time_startup

Onboard RS232C asynchronous serial port is set by default to 115200bit/s, 8 data bits, 1 stop bit, no parity. **Note** that the device does not fully implement the hardware (RTS/CTS) flow control, so it is suggested to try to disable hardware flow control in the terminal emulation program.

Extension Slots and Ports

- One Ethernet port, supporting automatic cross/straight cable correction (Auto MDI/X), so you can use either straight or cross-over cables for connecting to other network devices. The Ethernet port accepts 9..28 V DC powering from a passive PoE injector
- One MiniPCI Type IIIA/IIIB port with 3.3V power signaling
- DB9 RS232C asynchronous serial port.

Operating System Support

Currently tested operating system is MikroTik RouterOS (starting from v4).

Copyright and Warranty information

Copyright MikroTiks SIA. This document contains information protected by copyright law. No part of it may be reproduced or transmitted in any form without prior written permission from the copyright holder. RouterBOARD, RouterOS, RouterBOOT and MikroTik are trademarks of MikroTiks SIA. All trademarks and registered trademarks appearing in this document are the property of their respective holders.

Hardware. MikroTik warrants all RouterBOARD series equipment for the term of twelve (12) months from the shipping date to be free of defects in materials and workmanship under normal use and service, except in case of damage caused by mechanical, electrical or other accidental or intended damages caused by improper use or due to wind, rain, fire or other acts of nature.

To return failed units to MikroTik, you must perform the following RMA (Return Merchandise Authorization) procedure. Follow the instructions below to save time, efforts, avoid costs, and improve the speed of the RMA process.

1. If you have purchased your product from a MikroTik Reseller, please contact the Reseller company regarding all warranty and repair issues, the following instructions apply ONLY if you purchased your equipment directly from MikroTik in Latvia.
2. MikroTik does not offer repairs for products that are not covered by warranty. Exceptions can be made for: CCR1016-12G, CCR1016-12G-BU, CCR1036-12G-4S, RB1100, RB1100AH, RB1100AHx2, RB1200, RB600, RB600A and RB800 as a paid service (fees apply).
3. Out-of-warranty devices and devices not covered by warranty sent to MikroTik will be returned to the sender at sender's cost. If the customer has not organized return of such rejected devices within 12 months from the day of arrival, MikroTik has the right to discard them.

RMA Instructions are located on our webpage here: <http://rma.mikrotik.com>

This document is provided "as is" without a warranty of any kind, expressed or implied, including, but not limited to, the implied warranty of merchantability and fitness for a particular purpose. The manufacturer has made every effort to ensure the accuracy of the contents of this document, however, it is possible that it may contain technical inaccuracies, typographical or other errors. No liability is assumed for any inaccuracy found in this publication, nor for direct or indirect, incidental, consequential or other damages that may result from such an inaccuracy, including, but not limited to, loss of data or profits.

Please report any inaccuracies found to support@mikrotik.com

CE Declaration of Conformity



Full Declaration of Conformity (DoC) may be obtained by visiting this web page:

<http://routerboard.com/doc/>

[EN] English	Hereby, MIKROTĪKLS SIA declares that this ROUTERBOARD is in compliance with the essential requirements and other relevant provisions of Directive 1999/5/EC.
[BG] Bulgarian	С настоящето, MIKROTĪKLS SIA декларира, че ROUTERBOARD е в съответствие със съществените изисквания и другите приложими разпоредби на Директива 1999/5/EC.
[CZ] Czech	MIKROTĪKLS SIA tímto prohlašuje, že ROUTERBOARD splňuje základní požadavky a všechna příslušná ustanovení Směrnice 1999/5/ES.
[DK] Danish	Undertegnede MIKROTĪKLS SIA erklærer herved, at følgende udstyr ROUTERBOARD overholder de væsentlige krav og øvrige relevante krav i direktiv 1999/5/EF.
[DE] German	Hiermit erkläre MIKROTĪKLS SIA dass sich das Gerät ROUTERBOARD in Übereinstimmung mit den grundlegenden Anforderungen und den übrigen einschlägigen Bestimmungen der Richtlinie 1999/5/EG befindet.
[EE] Estonian	Käesolevaga kinnitab MIKROTĪKLS SIA seadme ROUTERBOARD vastavust direktiivi 1999/5/EÜ põhinõuetele ja nimetatud direktiivist tulenevatele teistele asjakohastele sätetele.
[GR] Greek	ΜΕ ΤΗΝ ΠΑΡΟΥΣΑ Ο ΚΑΤΑΣΚΕΥΑΣΤΗΣ MIKROTĪKLS SIA ΔΗΛΩΝΕΙ ΟΤΙ ROUTERBOARD ΣΥΜΜΟΡΦΩΝΕΤΑΙ ΠΡΟΣ ΤΙΣ ΟΥΣΙΩΔΕΙΣ ΑΠΑΙΤΗΣΕΙΣ ΚΑΙ ΤΙΣ ΛΟΙΠΕΣ ΣΧΕΤΙΚΕΣ ΔΙΑΤΑΞΕΙΣ ΤΗΣ ΟΔΗΓΙΑΣ 1999/5/ΕΚ
[ES] Spanish	Por la presente, MIKROTĪKLS SIA declara que este ROUTERBOARD cumple con los requisitos esenciales y otras exigencias relevantes de la Directiva 1999/5/EC.
[IT] Italian	Con la presente MIKROTĪKLS SIA dichiara che questo ROUTERBOARD è conforme ai requisiti essenziali ed alle altre disposizioni pertinenti stabilite dalla direttiva 1999/5/CE.
[LV] Latvian	Ar šo MIKROTĪKLS SIA deklarē, ka ROUTERBOARD atbilst Direktīvas 1999/5/EK būtiskajām prasībām un citiem ar to saistītajiem noteikumiem.
[LT] Lithuanian	Šiuo MIKROTĪKLS SIA deklaruoja, kad šis ROUTERBOARD atitinka esminius reikalavimus ir kitas 1999/5/EB Direktyvos nuostatas
[HU] Hungarian	A MIKROTĪKLS SIA ezennel kijelenti, hogy a ROUTERBOARD típusú berendezés teljesíti az alapvető követelményeket és más 1999/5/EK irányelvben meghatározott vonatkozó rendelkezéseket.
[NL] Dutch	Hierbij verklaart MIKROTĪKLS SIA dat het toestel I ROUTERBOARD in overeenstemming is met de essentiële eisen en de andere relevante bepalingen van richtlijn 1999/5/EG.
[PL] Polish	Niniejszym MIKROTĪKLS SIA deklaruje że ROUTERBOARD jest zgodny z zasadniczymi wymaganiami i innymi właściwymi postanowieniami Dyrektywy 1999/5/EC.
[PT] Portuguese	Eu, MIKROTĪKLS SIA declaro que o ROUTERBOARD cumpre os requisitos essenciais e outras provisões relevantes da Directiva 1999/5/EC.
[RO] Romanian	Prin prezenta, MIKROTĪKLS SIA declară că aparatul ROUTERBOARD este în conformitate cu cerințele esențiale și cu alte prevederi pertinente ale Directivei 1999/5/CE..
[SK] Slovak	MIKROTĪKLS SIA týmto vyhlasuje, že ROUTERBOARD splňa základné požiadavky a všetky príslušné ustanovenia Smernice 1999/5/ES.
[SI] Slovenian	MIKROTĪKLS SIA izjavlja, da je ta ROUTERBOARD v skladu z bistvenimi zahtevami in drugimi relevantnimi določili direktive 1999/5/ES.
[FI] Finnish	MIKROTĪKLS SIA vakuuttaa täten että ROUTERBOARD tyyppinen laite on direktiivin 1999/5/EY oleellisten vaatimusten ja sitä koskevien direktiivin muiden ehtojen mukainen.
[SE] Swedish	Härmed intygar MIKROTĪKLS SIA att denna RouterBOARD är i överensstämmelse med de väsentliga egenskapskrav och övriga relevanta bestämmelser som framgår av direktiv 1999/5/EG.
[NO] Norwegian	MIKROTĪKLS SIA Erklærer herved at ROUTERBOARD er i samsvar med de grunnleggende krav og øvrige relevante krav i direktiv 1999/5/EF.

EN. Instruction manual: Connect the power adapter to turn on the device. Open 192.168.88.1 in your web browser, to configure it. More information on <http://wiki.mikrotik.com>

BG. Инструкция: Свържете адаптера на захранване, за да включите устройството. Отворете 192.168.88.1 в уеб браузър, за да настроите продукта. Повече информация в <http://wiki.mikrotik.com>

CZ. Návod k použití: Připojte napájecí adaptér k zapnutí přístroje. Otevřete 192.168.88.1 ve webovém prohlížeči pro konfiguraci produktu. Více informací najdete v <http://wiki.mikrotik.com>

DK. Instruktionsbog: Tilslut strømadapteren for at tænde for enheden. Åbn 192.168.88.1 i en webbrowser til at konfigurere produktet. Mere information i <http://wiki.mikrotik.com>

FR. Mode d'emploi: Connectez l'adaptateur d'alimentation pour allumer l'appareil. Ouvrez 192.168.88.1 dans un navigateur Web pour configurer le produit. Plus d'informations dans <http://wiki.mikrotik.com>

DE. Bedienungsanleitung: Verbinden Sie das Netzteil, um das Gerät einzuschalten. Öffnen Sie 192.168.88.1 in einem Web-Browser, um das Produkt zu konfigurieren. Weitere Informationen im <http://wiki.mikrotik.com>

EE. Kasutusjuhend: Ühendage toiteadapter seadme sisselülitamiseks. Avatud 192.168.88.1 i veebilehitseja seadistada toodet. Rohkem teavet <http://wiki.mikrotik.com>

ES. Manual de instrucciones: Conecte el adaptador de alimentación para encender la unidad. Abra 192.168.88.1 en un navegador web para configurar el producto. Más información en <http://wiki.mikrotik.com>

IT. Manuale di istruzioni: Collegare l'adattatore di alimentazione per accendere l'unità. Aprire 192.168.88.1 in un browser Web per configurare il prodotto. Maggiori informazioni in <http://wiki.mikrotik.com>

LV. Lietošanas instrukcija: Pievienojiet Strāvas adapteri, lai ieslēgtu ierīci. Atvērt 192.168.88.1 ar interneta pārlūku, lai konfigurētu produktu. Plašāka informācija <http://wiki.mikrotik.com>

LT. Naudojimosi instrukcija: Prijunkite maitinimo adapterį įjunkite įrenginį. Į interneto naršyklę 192.168.88.1 Atidarykite galite konfigūruoti gaminį. Daugiau informacijos rasite <http://wiki.mikrotik.com>

HU. Használati utasítás: Csatlakoztassa a hálózati adaptert a készülék bekapcsolásához. Megnyitása 192.168.88.1 egy webböngészőben beállítani a terméket. Több információ <http://wiki.mikrotik.com>

NL. Handleiding: Sluit voedingsadapter aan op het apparaat in te schakelen. Open 192.168.88.1 in een webbrowser om het product te configureren. Meer informatie in <http://wiki.mikrotik.com>

PL. Instrukcja obsługi: Podłącz adapter zasilania, aby włączyć urządzenie. Otwórz 192.168.88.1 w przeglądarce internetowej, aby skonfigurować urządzenie. Więcej informacji w <http://wiki.mikrotik.com>

PT. Manual de instruções: Conecte o adaptador de alimentação para ligar o aparelho. Abra 192.168.88.1 em um navegador da web para configurar o produto. Mais informações em <http://wiki.mikrotik.com>

RO. Instrucțiuni de utilizare: Conectați adaptorul de alimentare pentru a porni aparatul. Deschide 192.168.88.1 într-un browser web pentru a configura produsul. Mai multe informații în <http://wiki.mikrotik.com>

SK. Návod na použitie: Pripojte napájací adaptér k zapnutiu prístroja. Otvorte 192.168.88.1 vo webovom prehliadači pre konfiguráciu produktu. Viac informácií nájdete v <http://wiki.mikrotik.com>

SI. Navodila: Priključite napajalnik za vklop naprave. Odprite 192.168.88.1 v spletnem brskalniku nastaviti izdelek. Več informacij v <http://wiki.mikrotik.com>

FI. Käyttöohje: Kytke virtalähde päälle laitteen. Avaa 192.168.88.1 in selaimen määrittää tuotteen. Lisää tietoa <http://wiki.mikrotik.com>

SE. Instruktionsmanual: Anslut nätadaptern för att slå på enheten. Öppna 192.168.88.1 i en webbläsare för att konfigurera produkten. Mer information på <http://wiki.mikrotik.com>

NO. Bruksanvisningen: Koble strømadapteren for å slå på enheten. Åpne 192.168.88.1 i en nettleser for å konfigurere produktet. Mer informasjon på <http://wiki.mikrotik.com>

GR. εγχειρίδιο οδηγιών: Συνδέστε τον προσαρμογέα τροφοδοσίας για να ενεργοποιήσετε τη μονάδα. Ανοίξτε 192.168.88.1 σε ένα πρόγραμμα περιήγησης στο Web για να διαμορφώσετε το προϊόν. Περισσότερες πληροφορίες στο <http://wiki.mikrotik.com>

See www.routerboard.com for more information. Contact support@mikrotik.com for support questions.